

TYPE T14 VAPOR TENSION TEMPERATURE PILOT

CONTROLS 20 to 500°F



TYPE T14 TEMPERATURE PILOT

- Precise, Rapid Response
- Spring Operated
- Self Contained
- Normally Open, Direct Operation (Heating)
- Packless Construction
- Fluid, Gas and Vapor Applications
- Strainer Screen Built-in
- Easy in-line Maintenance

OPTIONS

- Stainless Steel Flexible Tubing
- Stainless Steel Capillary Tubing
- Tubing longer than 10'
- Thermostat Well
- Dial Thermometer
- Integral Mount
- Thermostat other than #700 (see Options Section)

THERMOSTATS

| | | |
|-----|-----|-----|
| 700 | 706 | 731 |
| 701 | 708 | 732 |
| 702 | 711 | 740 |
| 703 | 712 | |
| 704 | 713 | |

TYPICAL CONFIGURATIONS

| | |
|------------------------------|---------------|
| TEMPERATURE REGULATING | E114 |
| TEMPERATURE & PRESSURE | E114D |
| TEMPERATURE REGULATING | E2114 |
| TEMPERATURE & PRESSURE | E2114D |
| TEMPERATURE REGULATING | E5114 |
| TEMPERATURE & PRESSURE | E5114D |

APPLICATION DATA

- Storage Heaters
- Jacketed Kettles
- Vats

RATINGS (Maximum Inlet Conditions)

| Construction | Pressure PSIG (bar) | Temperature °F (°C) |
|--------------|---------------------|---------------------|
| Cast Iron | 250 (17.2) @ | 450 (232) |
| Cast Bronze | 250 (17.2) @ | 400 (204) |
| Cast Steel | 600 (41.4) @ | 750 (400) |

TEMPERATURE RANGES (°F)

| | | |
|---------|---------|---------|
| 20-120 | 150-300 | 300-400 |
| 50-150 | 170-270 | 330-430 |
| 70-170 | 250-350 | 400-500 |
| 120-220 | 290-390 | |

Canadian Registration # OC 0591.9C

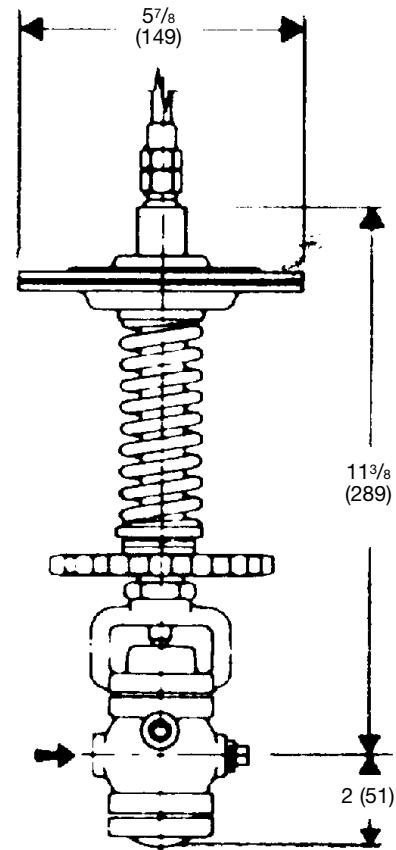
SIZING INFO

TYPE T14 VAPOR TENSION TEMPERATURE PILOT SPECIFICATION

Pilot valve shall be separate from the main valve and connected to it by unions. Pilot seats shall be protected by built-in strainer screens. Pilot shall be interchangeable on all sizes of main valves. Thermal elements shall provide a 100°F (38°C) range of temperature adjustment and shall withstand 100°F overheating without damage. Handwheel adjustment for temperature shall be standard. Unless otherwise scheduled, thermal elements shall be equipped with 10 feet of brass flexible tubing. Number 700 bronze bulb, Number 728 bronze well shall be supplied for storage tank applications. Steel wells shall be supplied for fuel oil service.

MATERIALS OF CONSTRUCTION

| | |
|-------------------------|---------------------------------|
| Body, Cast Iron | ASTM A126 CI B |
| Body, Cast Bronze | ASTM B61-80 UNS C92200 |
| Body, Cast Steel | ASTM A216 GR. WCB |
| Stem | 2024-T4 ASTM B211-75 |
| Disc | 440 St. St. ASTM A276-75 COND A |
| Seat | 420 St. Stl ASTM A276 COND A |
| Gasket | Graphite |
| Diaphragm | Bronze ASTM B103-77 UNS C51000 |
| Spring | Steel |



TYPE T14 TEMPERATURE PILOT
13 LBS. (6 KG)

